

# UL 924 AUTOMATIC EMERGENCY POWER TRANSFER CONTROL RELAYS INSTALLATION INSTRUCTIONS

## GENERAL INSTRUCTIONS

The UL 924 Automatic Emergency Power Transfer Control Relays are manufactured for Hubbell Building Automation by LVS Controls, Inc. San Leandro, CA. These products are labeled and listed by LVS for the appropriate applications as indicated on the LVS Installation Instructions included with the product.

## PLEASE READ AND FOLLOW ALL SAFETY INSTRUCTIONS.

This Installation Guide is for use in connecting the LVS product with HBA control devices and is not intended to serve as approved Installation Instructions.

## DESCRIPTION

Hubbell Building Automation's UL924 Enclosed Automatic Emergency Power Transfer Control Relays from LVS Controls, Inc, is a versatile, cost-effective unit, specifically designed for projects requiring hot and neutral switching of the load from normal circuit to emergency circuit or that include the requirement that 0-10V dimming circuits be brought to full brightness during the emergency transfer event. The unit senses loss or voltage drop of the normal utility source and within 1.5 seconds transfers the load including the neutral to the emergency source. When power is restored, the unit transfers the load back to normal utility power within 1.5 seconds. Integral momentary test switch simulates utility power failure and can be activated at any time. Any interruption of normal utility power will automatically transfer designated emergency lights to full bright regardless of current dim level or ON/OFF state of the system.

## SPECIFICATIONS

Refer to LVS Controls, Inc, Installation Instructions and product labels for specifications and load ratings.

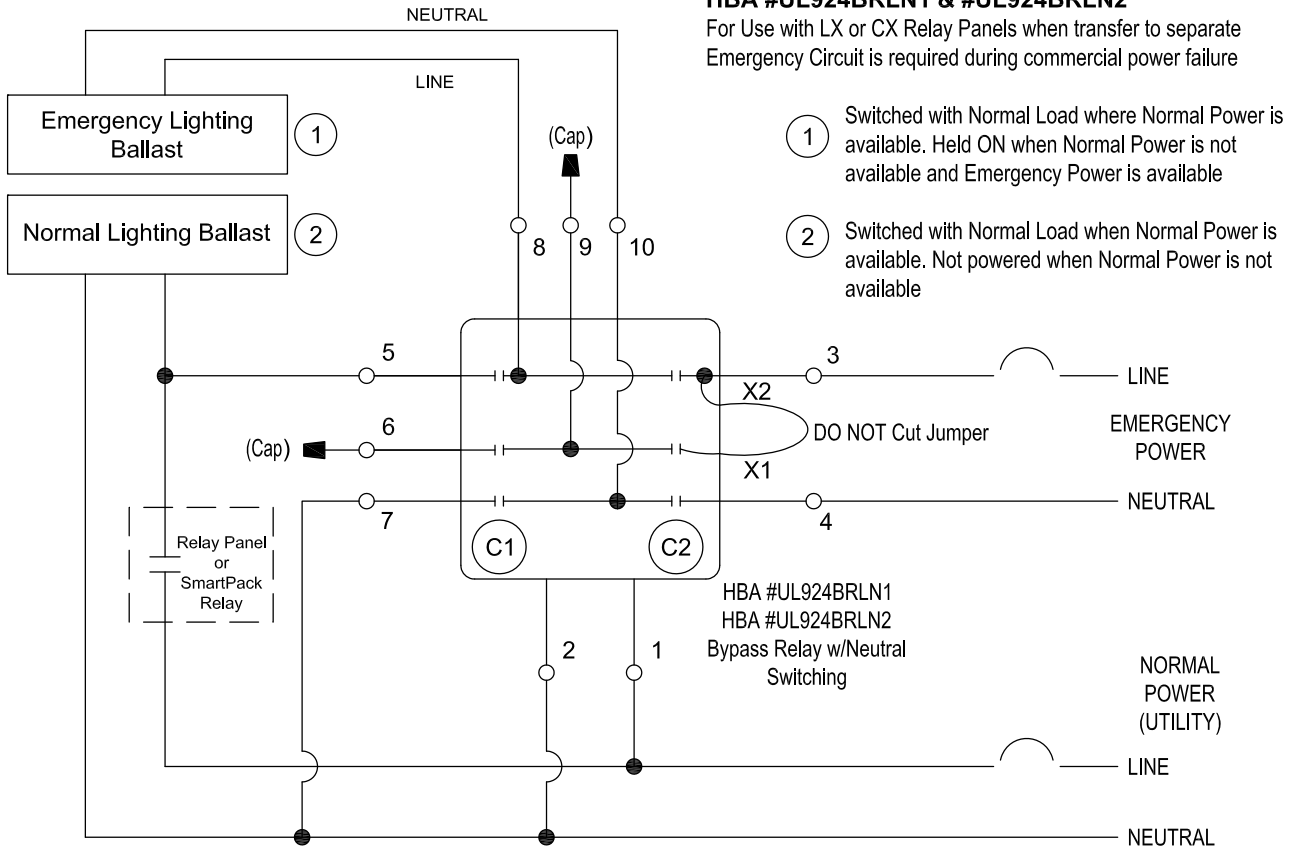
## WIRING DIAGRAMS – LX and CX Panels, Power Packs and wiHUBB Smart Packs

The Hubbell Building Automation UL 924 Automatic Emergency Power Transfer Control Relays can be connected to various Hubbell Building Automation control systems and devices as indicated in the following wiring diagrams. Contact Hubbell Building Automation Technical Service at (800) 888-8006 for assistance as required.



**HUBBELL**  
Building Automation

WIRING DIAGRAMS - LX PANELS, CX PANELS, POWER PACKS, and wiHUBB SMART PACKS



WIRING DIAGRAMS - wiHUBB SMART PACKS with 0-10V Dimming

