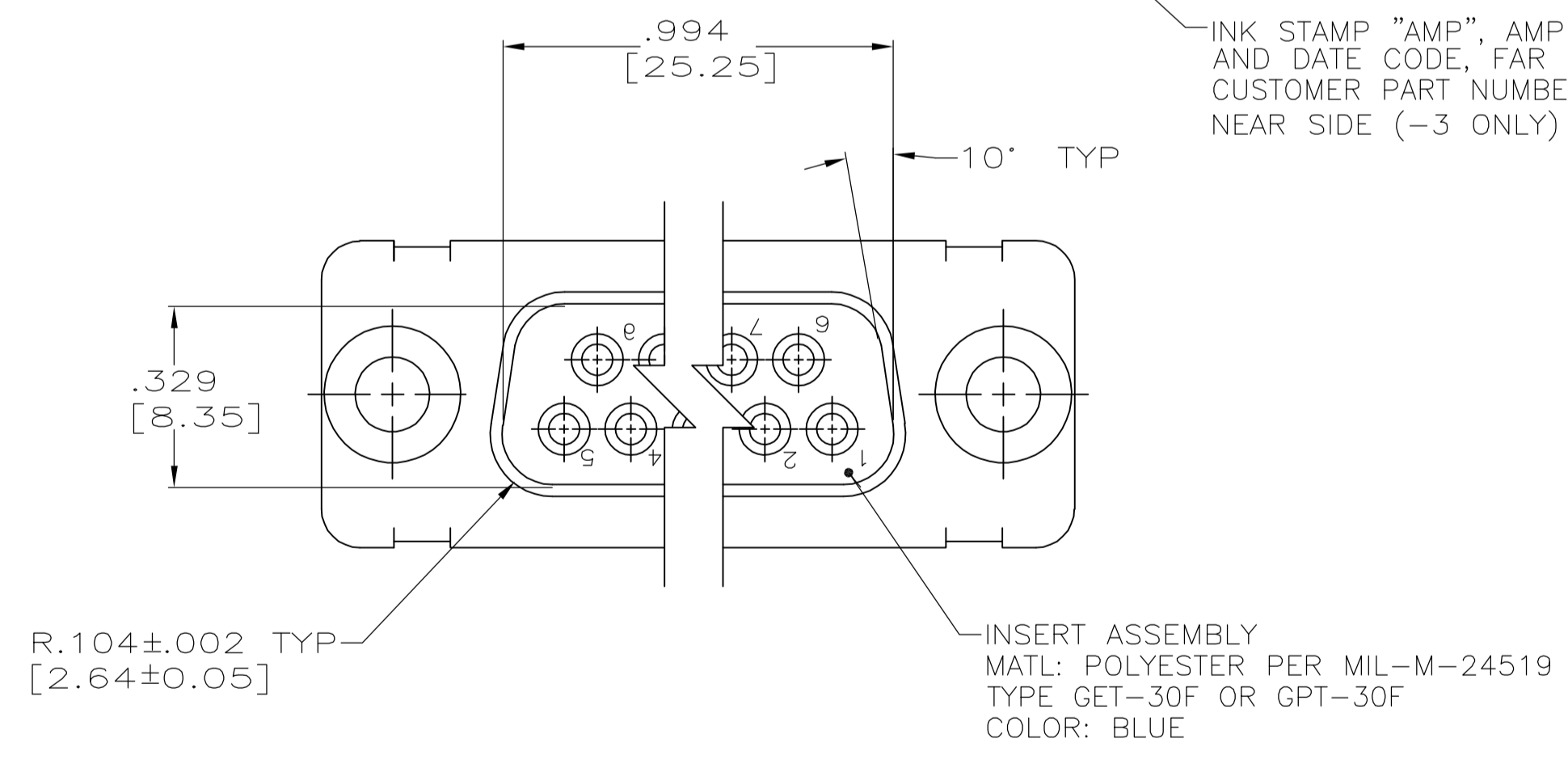
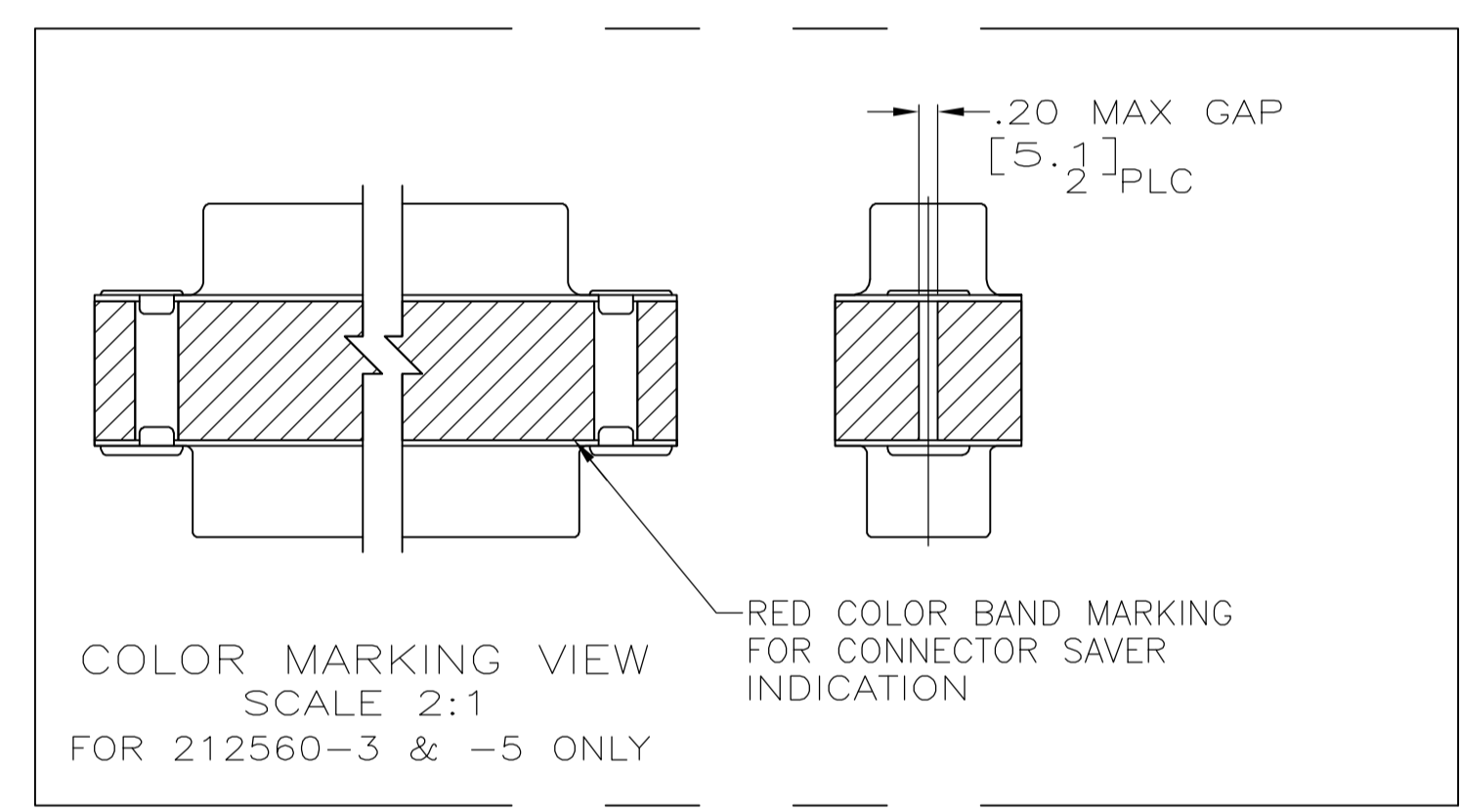
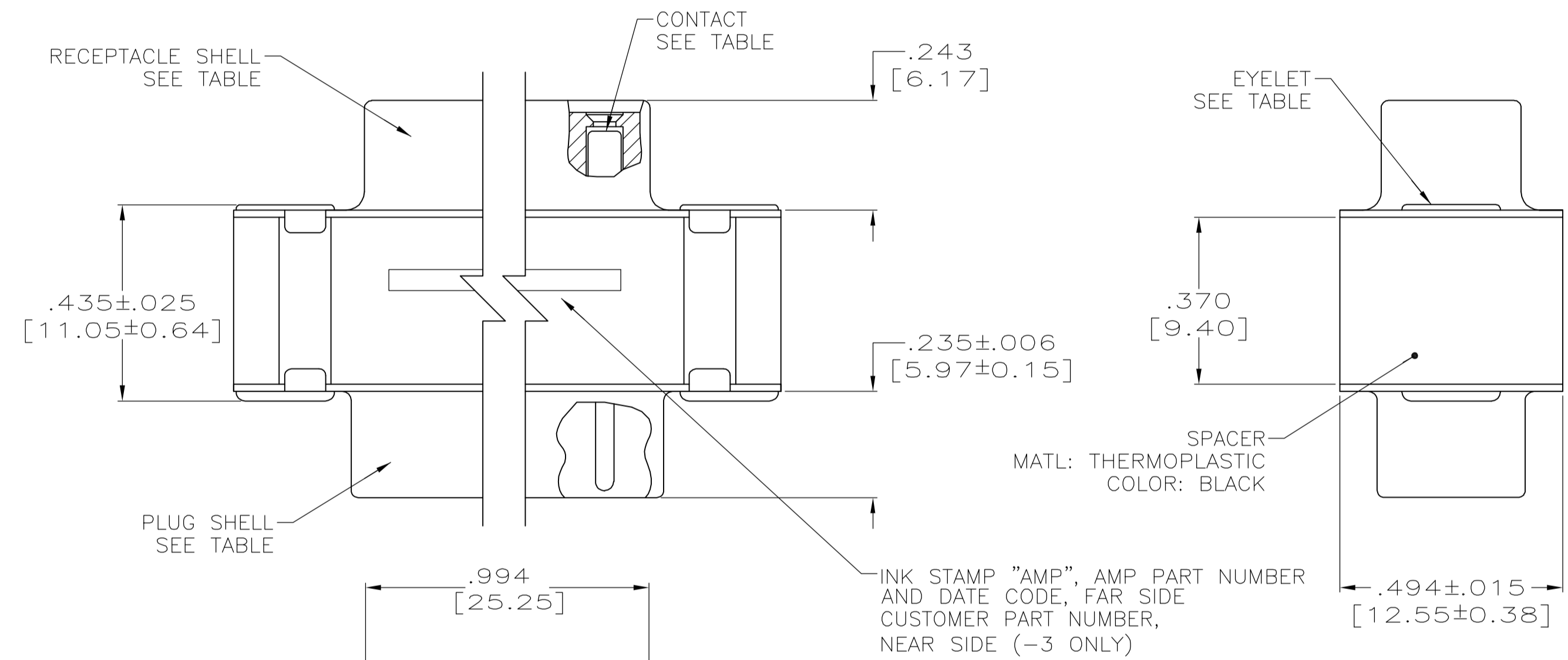
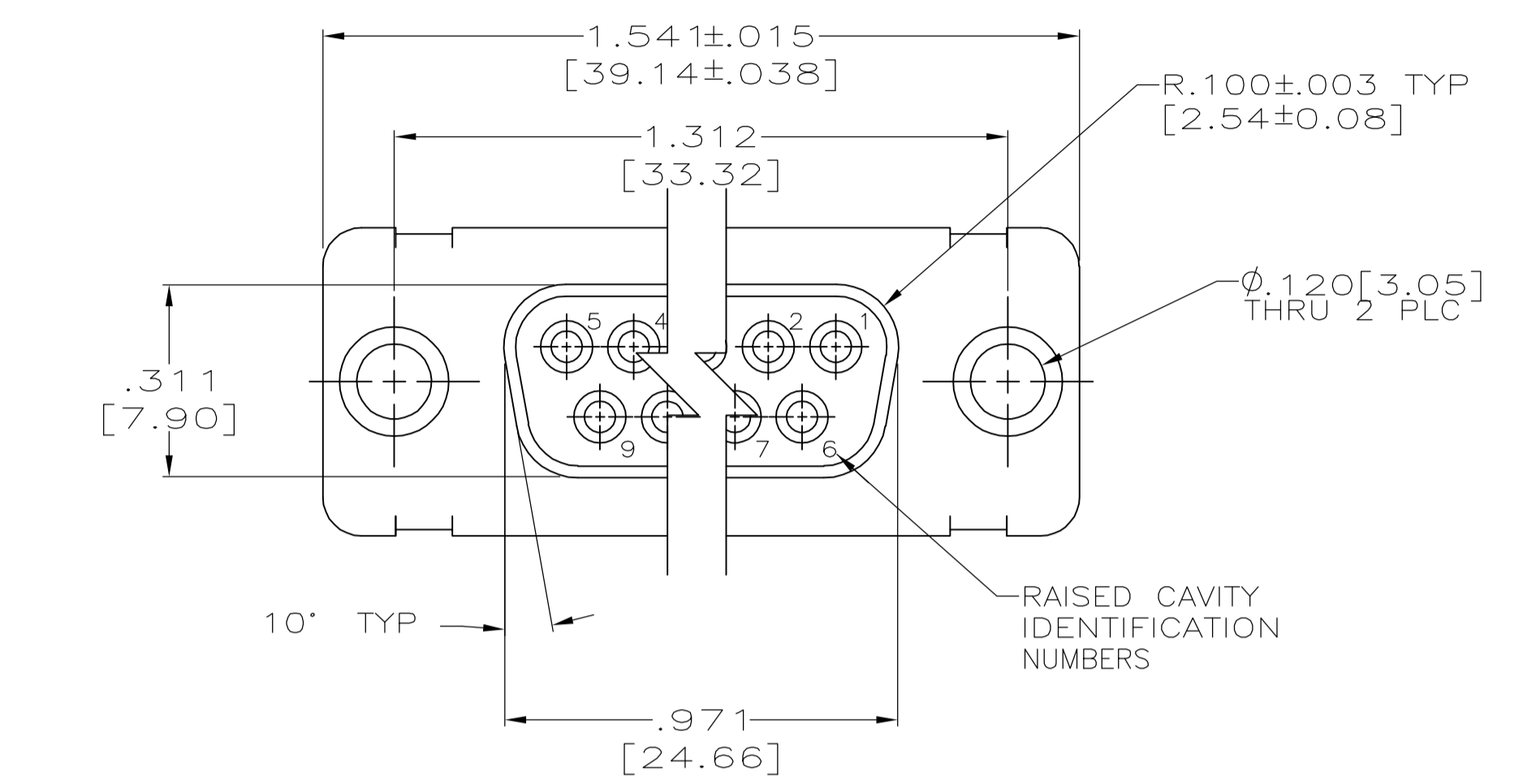


LOC		DIST		REVISIONS			
P	LTR	DATE	BY	APP'D	REV	DESCRIPTION	
N		06FEB06	BL	CT	1	REV PER ECO 05-014963	



- CONTACTS INCLUDED IN ASSEMBLY.
- MATL: STEEL, PER ASTM-A-109.
- FINISH: CADMIUM PER QQ-P-416.
- CONTACT BODY MATL: BERYLLIUM COPPER PER ASTM-B-197. BODY FINISH: PLATED GOLD, .000050 MIN THK PER MIL-G-45204 OVER NICKEL, .000050 MIN THK PER QQ-N-290. HOOD MATL: STAINLESS STEEL PER ASTM-A-167. HOOD FINISH: PASSIVATED PER ASTM-A-380.
- FINISH: PLATED ZINC .00020 MIN THK PER ASTM-B-633. YELLOW CHROMATE FINISH.
- MATL: BRASS PER ASTM-B-36.
- FINISH: PLATED GOLD, .000050 MIN THK PER MIL-G-45204 OVER COPPER, .000100 MIN THK PER MIL-C-14550.
- CONTACT BODY MATL: BERYLLIUM COPPER PER ASTM-B-197. BODY AND HOOD FINISH: PLATED GOLD, .000050 MIN THK PER MIL-G-45204 OVER COPPER, .000100 MIN THK PER MIL-C-14550. HOOD MATL: BRASS PER ASTM-B-36.
- FINISH: PLATED ZINC PER ASTM-B-633 .000200 MIN THK WITH SUPPLEMENTARY CHROMATE (Cr2+).

OBsolete	EYELET	SHELLS	CONTACT	CUSTOMER P/N	PART NO.
	△△	△△	△	-	5-212560-1
	△△	△△	△	4U884 SOCN R10002677-0102	212560-5
	-	-	-	-	212560-4
	△△	△△	△	(1J02-102)	212560-3
	△△	△△	△	-	212560-2
	△△	△△	△	-	212560-1

THIS DRAWING IS A CONTROLLED DOCUMENT.		DWN T. THOMPSON 11-07-94		Tyco Electronics Corporation Harrisburg, PA 17105-3608	
DIMENSIONS: INCHES		CHK D. MANTIONE 11-07-94		APPRO D. MANTIONE 11-07-94	
TOLERANCES UNLESS OTHERWISE SPECIFIED:		PRODUCT SPEC		NAME	
0 PLC ± -		APPLICATION SPEC		SIZE	
1 PLC ± -		WEIGHT		CAGE CODE	
2 PLC ± -		CUSTOMER DRAWING		DRAWING NO	
3 PLC ± .005 [0.13]		SCALE 4:1		SHEET 1 OF 1	
4 PLC ± -		REV N		REV	
ANGLES ± -		A1 00779		C=212560	