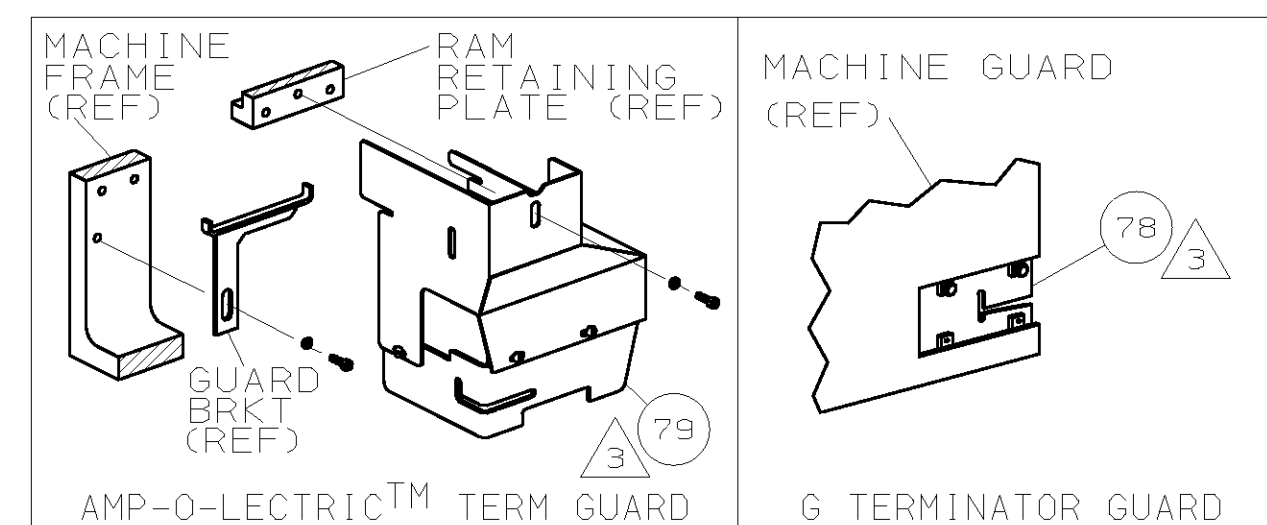
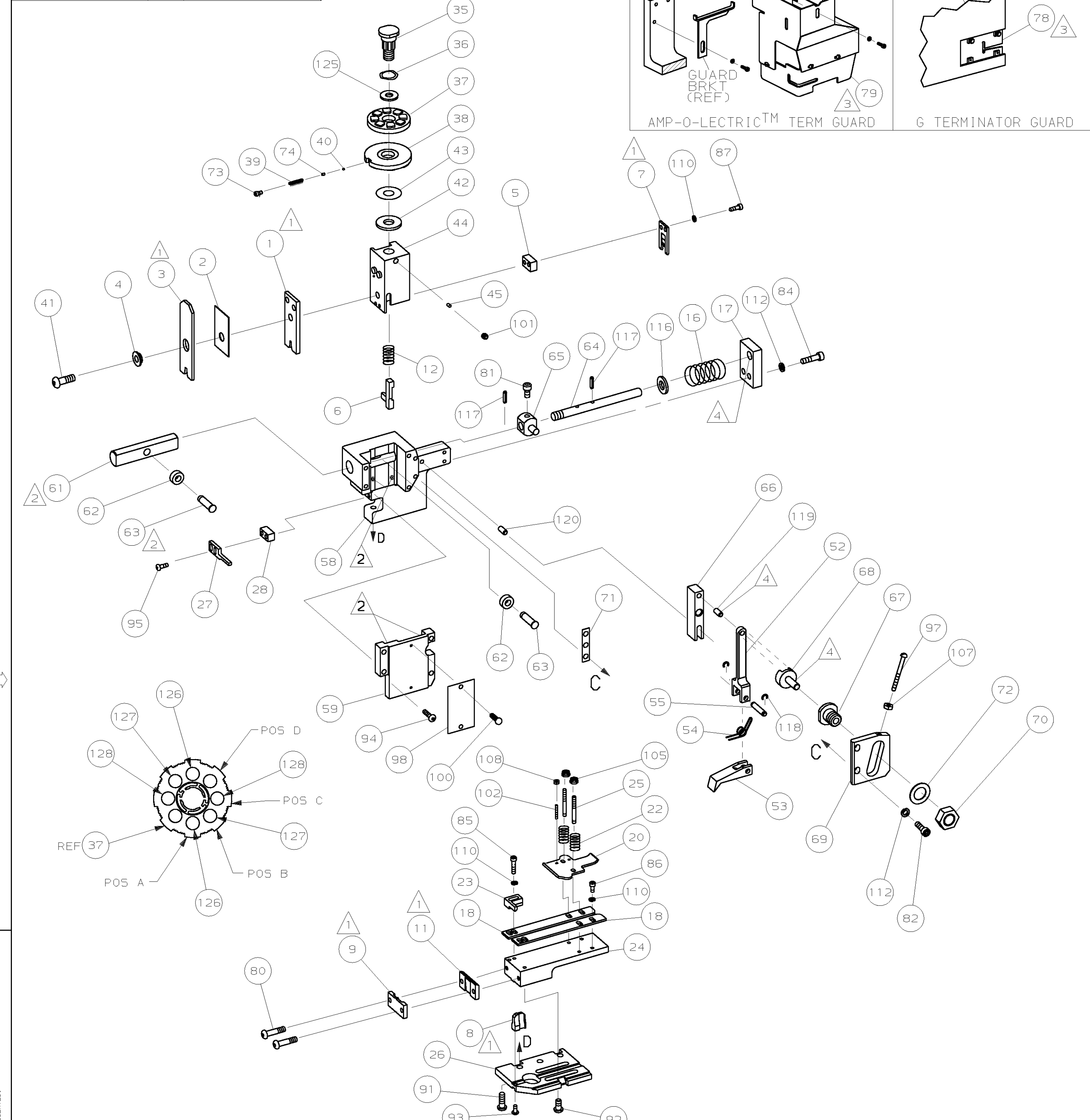


PART NUMBER	REV	FIRST USED
680645-1	B	122500-1
680645-2	B	565435-5



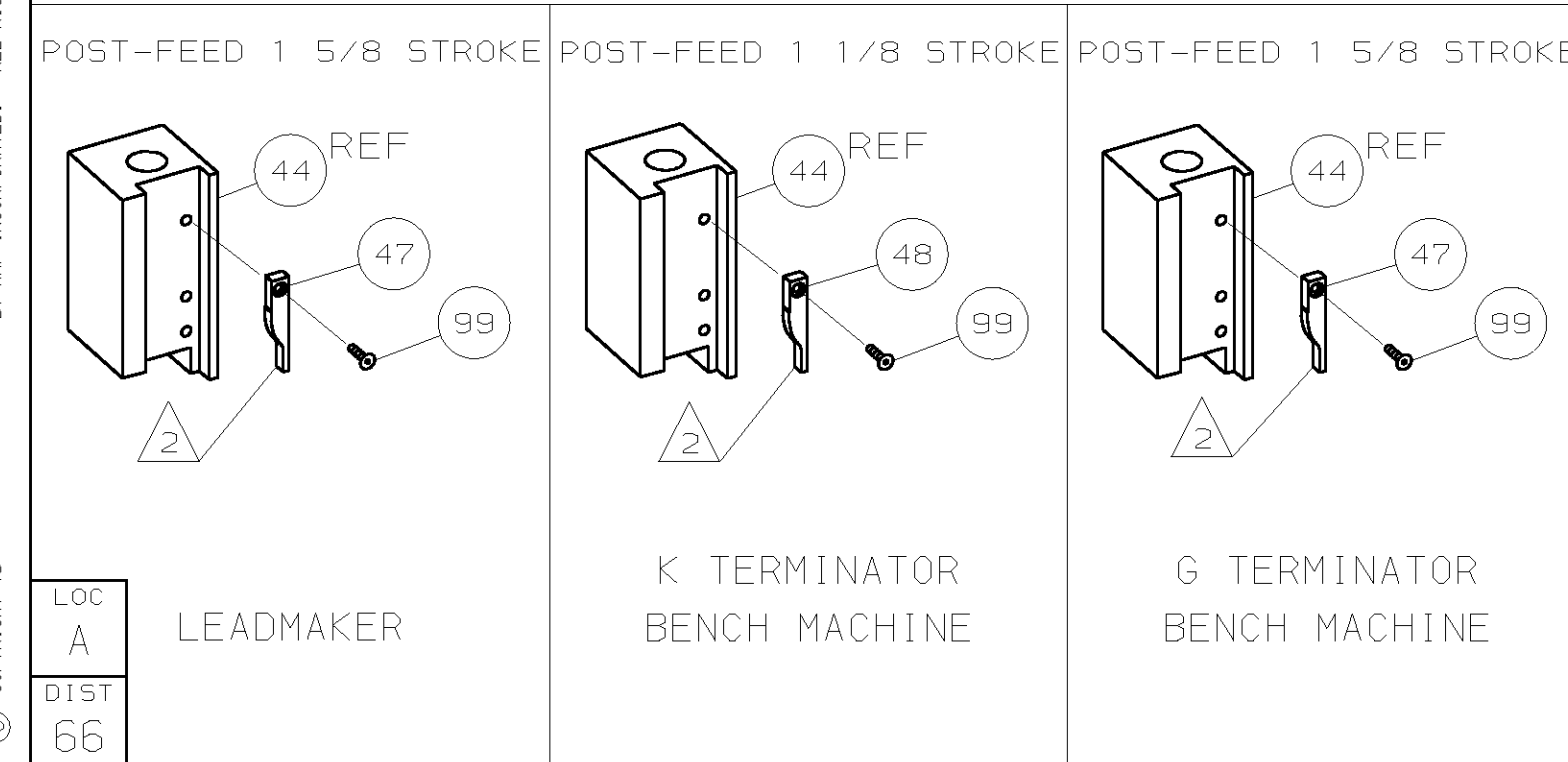
TERMINAL NAME: TERMINAL, RECEPTAL			
PAD LTR	CRIMP HEIGHT	WIRE SIZE	
A	.052 ±.002 [1.32 ±0.05mm]	18	
B	.047 ±.002 [1.19 ±0.05mm]	20	
C	.044 ±.002 [1.12 ±0.05mm]	22	
D	NOT USED		
CRIMP	SIZE	TYPE	RANGE
WIRE	.080 [2.03mm]	F	22-18
INSUL	.155 [3.94mm]	F	.090-.130

REF	REF		LEADMAKER & BENCH MODEL G	MECH POST FEED	
REF	REF	-	A	22594-8	NUT, HEX
REF	REF	-	B	240628-1	PLATE, ADJ
REF	REF	-	B	240626-1	SHAFT, PIVOT
REF	REF	-	B	240633-1	BUSHING
REF	REF	-	A	455680-1	LEVER, INTERMEDIATE
REF	REF	-	B	240629-1	BLOCK, PIVOT
REF	REF	-	A	240632-2	SCR, ADJ
REF	REF	-	B	240659-3	PIN, CAM ROLLER
REF	REF	-	B	240658-1	CAM, ROLLER
REF	REF	-	B	454398-1	ROD, FEED



QTY	REF	REF		WIRE STRIP LENGTH	TERM APPL SPEC	FEED	APPL INSTRUCTION	SET UP GAGE	LAYOUT
2	2	-	C	4-354779-4					129
2	2	-	C	3-354779-6					128
2	2	-	C	2-354779-4					126
1	1	-	A	986950-1					125
1	1	-	A	217238-1					124
1	1	-	-	4088039					123
									122
									121
REF	REF	-	A	1-21030-7					120
REF	REF	-	A	1-21030-1					119
REF	REF	-	A	21045-3					118
REF	REF	-	A	5-21028-1					117
REF	REF	-	A	21899-4					116
									115
									114
									113
REF	REF	-	A	21024-5					112
7	7	-	A	21024-4					110
									109
2	2	-	A	21018-4					108
REF	REF	-	A	21018-5					107
									106
2	2	-	A	21022-2					105
									104
									103
2	2	-	A	2-21006-6					102
1	1	-	A	21009-2					101
2	2	-	A	21017-2					100
1	1	-	A	1-21002-7					99
1	1	-	B	461264-1					98
REF	REF	-	A	6-23715-5					97
									96
2	2	-	A	2-21002-2					95
REF	REF	-	A	2-21002-9					94
1	1	-	A	22733-8					93
4	4	-	A	3-21002-3					92
REF	REF	-	A	2-22733-8					91
									90
									89
									88
2	2	-	A	2-21000-7					87
3	3	-	A	2-21000-5					86
2	2	-	A	2-21000-8					85
REF	REF	-	A	3-21000-7					84
									83
REF	REF	-	A	3-21000-6					82
REF	REF	-	A	3-21000-4					81
2	2	-	A	3-21002-0					80
REF	REF	-	A	455745-1					79
-	REF	-	A	679532-1					78
									77
									76
									75
1	1	-	A	690603-1					74
1	1	-	A	23030-1					73
REF	REF	-	A	458109-1					72
REF	REF	-	A	690517-1					71

QTY	REF	REF		WIRE STRIP LENGTH	TERM APPL SPEC	FEED	APPL INSTRUCTION	SET UP GAGE	LAYOUT
REF	REF	-	C	454220-1					60
REF	REF	-	D	453736-1					59
									58
									57
									56
REF	REF	-	B	240624-1					55
REF	REF	-	B	691499-1					54
REF	REF	-	B	240635-1					53
REF	REF	-	B	240634-1					52
									51
									50
									49
1	-	-	B	690501-3					48
-	1	-	B	690501-4					47
									46
1	1	-	A	690191-1					45
1	1	-	C	455674-1					44
1	1	-	A	690125-1					43
1	1	-	A	690124-1					42
1	1	-	A	7-21002-9					41
1	1	-	A	23241-6					40
1	1	-	A	690170-1					39
1	1	-	C	690142-1					38
1	1	-	D	354777-1					37
1	1	-	A	22480-5					36
1	1	-	B	690212-1					35
									34
									33
1	1	-	D	458980-1					32
									31
									30
									29
1	1	-	B	2-690451-4					28
1	1	-	A	240639-4					27
REF	REF	-	C	455676-1					26
2	2	-	A	22354-8					25
1	1	-	B	455678-1					24
1	1	-	C	240825-4					23
2	2	-	A	4-22281-1					22
									21
1	1	-	A	454177-1					20
									19
2	2	-	C	454204-1					18
REF	REF	-	A	454178-1					17
REF	REF	-	A	4-22284-9					16
									15
									14
									13
1	1	-	A	23846-1					12
1	1	-	B	240644-1					11
									10
1	1	-	B	690482-6					9
1	1	-	D	6-461295-6					8
1	1	-	B	690474-6					7
1	1	-	D	1-455892-0					6
1	1	-	C	5-240641-2					5
1	1	-	B	238009-8					4
1	1	-	C	7-456134-0					3
1	1	-	B	455888-6					2
1	1	-	C	456405-8					1



- 1 RECOMMENDED SPARE PARTS.
- 2 GREASE LIGHTLY.
- 3 GUARD MUST BE IN PLACE WHEN OPERATING APPLICATOR IN A BENCH MACHINE.
- 4 LUBRICATE DAILY USING NO. 20 MACHINE OIL.
- 5. ITEMS WITH QTY OF REF SPECIFIED (EXCEPT ITEMS 78 AND 79) ARE USED ON ITEM 32.
- 6 ITEM 78 USED WITH G TERMINATOR ONLY.
- 7 CUT TO LENGTH AT ASSY.

QTY	REF	REF		WIRE STRIP LENGTH	TERM APPL SPEC	FEED	APPL INSTRUCTION	SET UP GAGE	LAYOUT
1	1	-	A	690603-1					74
1	1	-	A	23030-1					73
REF	REF	-	A	458109-1					72
REF	REF	-	A	690517-1					71

QTY	REF	REF		WIRE STRIP LENGTH	TERM APPL SPEC	FEED	APPL INSTRUCTION	SET UP GAGE	LAYOUT
1	1	-	A	690603-1					74
1	1	-	A	23030-1					73
REF	REF	-	A	458109-1					72
REF	REF	-	A	690517-1					71